

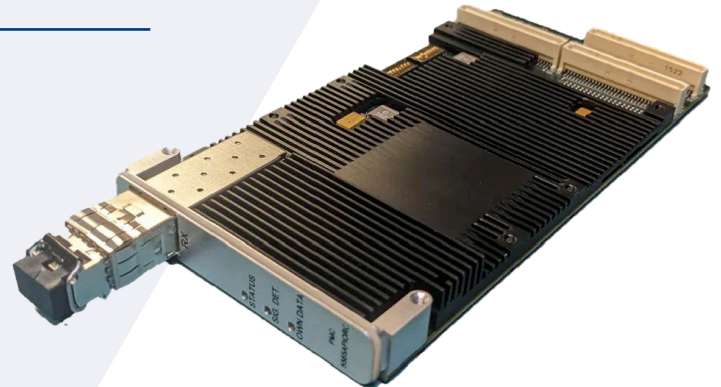
GAZL PMC NODE CARD

PMC5565APIORC-2001-02 /
PMC5565APIORC-2001-02-1

Ultra-high-speed, fiber optic network
for distributed processing

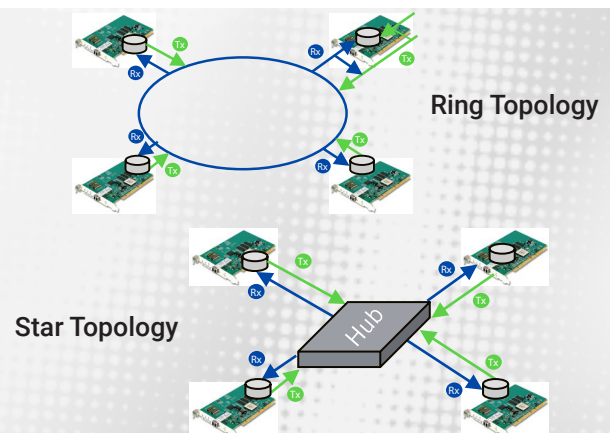
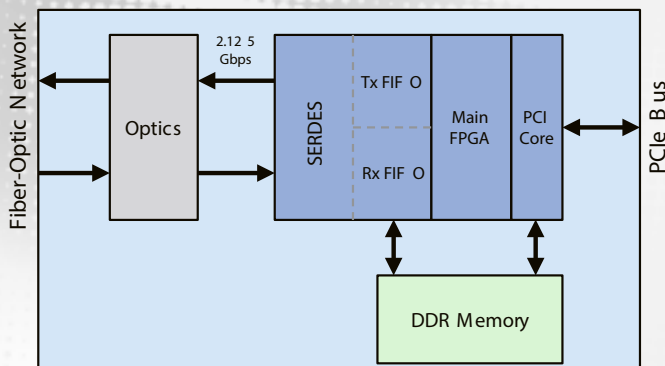
IDEAL APPLICATIONS

- Aircraft simulators
- Engine test stands
- Automated testing systems
- Industrial process control
- Ship & submarine simulators
- High-speed data acquisition
- Aluminum rolling mill
- PLCs
- Power plant simulators



PRODUCT HIGHLIGHTS

- ⊕ Low latency, deterministic data transfer for high performance and predictability
- ⊕ Create a single, shared memory network across diverse systems that is OS and bus structure independent
- ⊕ Minimal processor overhead
- ⊕ Error management and detection
- ⊕ Enables scalable network of up to 256 nodes
- ⊕ 256 MB of SDRAM
- ⊕ Available in Commercial and Industrial Temp Ranges



FEATURES

| | | | | | | | | | |
|---|---|-------------------|-------------------|---|---------------------------------|-------------------------------|-------------------------------|---|---|
| RAM | 256MB | | | | | | | | |
| DATA TRANSFER | Non-redundant Transfer Rate: 43 MByte/s (single longword accesses) to 170 MByte/s (64 byte bursts) Redundant Transfer Rate: 20 MByte/s (single longword accesses) to 87 MByte/s (64 byte bursts) | | | | | | | | |
| PCI / PCIE TRANSFER RATE | 132 MByte/s (33MHz/32-bit bus) 264 MByte/s (33 MHz/64-bit bus or 66 MHz/32-bit bus) 528 MByte/s (66 MHz/64-bit bus) PCI Express transfer rate: 4 lanes at 2.5 Gbit/s Optional: PCI Express Gen 3.0 transfer rate: 4 lanes at 8 Gbit/s | | | | | | | | |
| CABLING | Multi-mode simplex / duplex cables up to 1,640 feet (500m) | | | | | | | | |
| OS SUPPORT | Linux, Windows 10, Windows 11, VxWorks, Windows Server 2022 | | | | | | | | |
| POWER REQUIREMENT | +5 VDC (±5%), 1.5A typical, 3.0A max | | | | | | | | |
| NETWORKING | Removable SFP Transceiver | | | | | | | | |
| THERMAL MANAGEMENT REQUIREMENT | 300LFM | | | | | | | | |
| MECHANICAL | Dimensions (L x W x D): 184mm x 74mm x 14mm Weight: 153g | | | | | | | | |
| MTBF | 1,571,709 hours | | | | | | | | |
| ENVIRONMENTAL | <table border="0"> <tr> <td>Commercial</td> <td>Industrial</td> </tr> <tr> <td>Operating Temp.: 0°C to +65°C (with forced air cooling)</td> <td>Operating Temp.: -40°C to +70°C</td> </tr> <tr> <td>Storage Temp.: -40°C to +85°C</td> <td>Storage Temp.: -40°C to +85°C</td> </tr> <tr> <td>Humidity: 20% to 80% RH, non-condensing</td> <td>Humidity: 20% to 80% RH, non-condensing</td> </tr> </table> | Commercial | Industrial | Operating Temp.: 0°C to +65°C (with forced air cooling) | Operating Temp.: -40°C to +70°C | Storage Temp.: -40°C to +85°C | Storage Temp.: -40°C to +85°C | Humidity: 20% to 80% RH, non-condensing | Humidity: 20% to 80% RH, non-condensing |
| Commercial | Industrial | | | | | | | | |
| Operating Temp.: 0°C to +65°C (with forced air cooling) | Operating Temp.: -40°C to +70°C | | | | | | | | |
| Storage Temp.: -40°C to +85°C | Storage Temp.: -40°C to +85°C | | | | | | | | |
| Humidity: 20% to 80% RH, non-condensing | Humidity: 20% to 80% RH, non-condensing | | | | | | | | |
| COMPLIANCE | Designed to meet: RoHS, CE, FCC, ANSI | | | | | | | | |

ORDERING INFORMATION

Contact us at **855.365.2188** or visit jsquared.com/general-inquiries to begin the ordering process.

